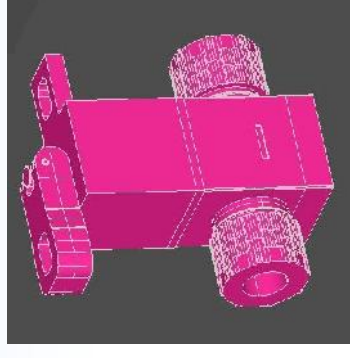
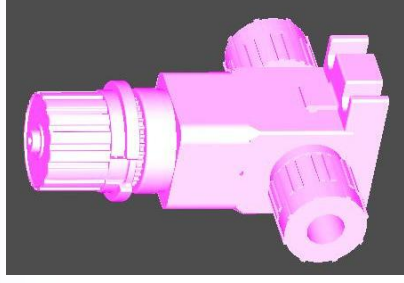
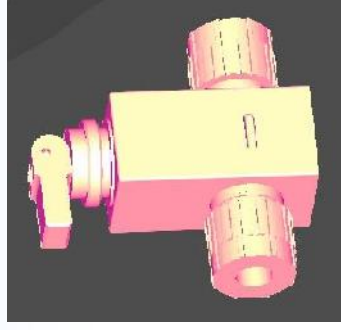
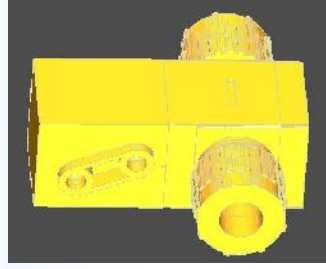


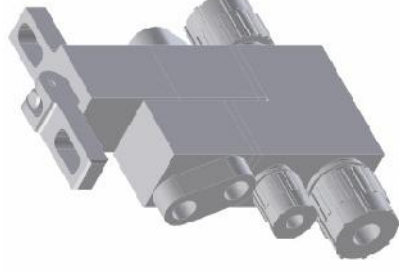
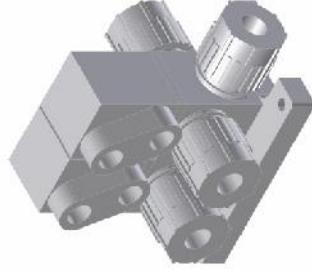
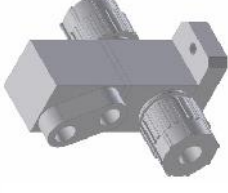
# High Purity Shutoff Valves (manual & pneumatic operated) with Pillar S-300 fittings



- AV3 series (Multi-turn valves with S-300 fittings)

## Features/Benefits of AV3 series

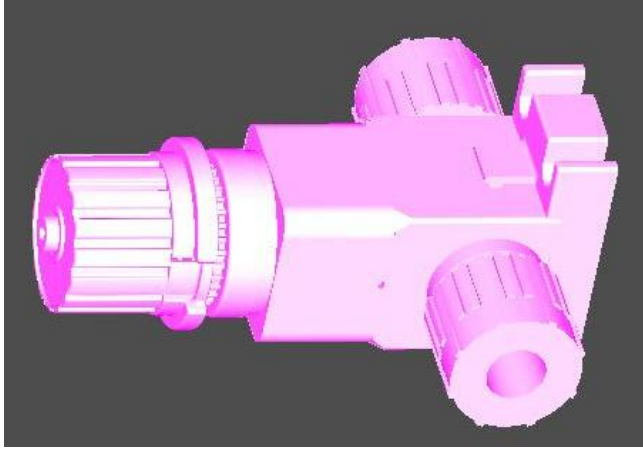
- Use of injection molded parts – An injected molded PFA body with Pillar S-300 (and flare) fittings, accompanied by an injected molded actuator makes for a robust cost-competitive design.
- Footprint – The same compact actuator (for SAV series), is utilized on both stand-alone and manifold valves to maintain outer dimensional uniformity and to allow for great space-saving.
- Multi-functional – An array of functions (hybrid, flow restricting, adjustable trickle bypass) can be added to stand-alone and/or manifold type configurations (for SAV series), to help conserve on space and eliminate potential leak points.



- 2 -

# AV3 series (multi-turn manual valve) - Construction

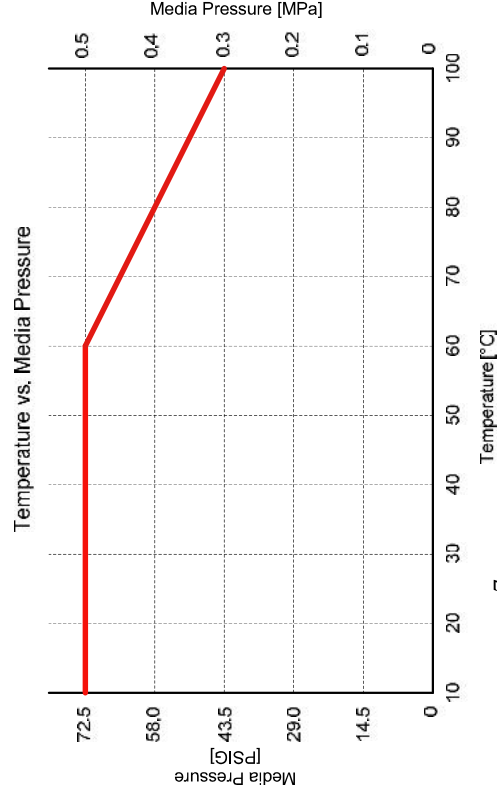
- PFA injection molded body w/ Pillar S-300 fittings
- Wetted Material: PTFE / PFA
- 1/4" ~ 1/2" - 2.5 turns
- 3/4" ~ 1" - 2 turns
- Handle lockout mechanism



Item	Part Description	Material
1	Diaphragm	PTFE
2	Body	PFA
3	Spring	SS304WPB
4	Cap	PP
5	Case	PP
6	Piston	PP
7	O-ring	FKM
8	Handle	PP
9	Stuffing	PP
10	Lock nut	POM
11	Mounting base	PP

# AV3 series (multi-turn manual valve) - Specifications

Item	Fitting Size				
	1/4"	3/8"	1/2"	3/4"	1"
Actuator/Body size	25 mm sq.	25 mm sq.	35 mm sq.	45 mm sq.	60 mm sq.
Orifice	4 mm	6.4mm	10 mm	16 mm	22 mm
Cv	0.3	0.8	2.0	5.0	10.6
Media Pressure IN & OUT	72.5 psig	72.5 psig	72.5 psig	72.5 psig	72.5 psig
Pilot Pressure	58 ~ 72.5 psig	58 ~ 72.5 psig	58 ~ 72.5 psig	58 ~ 72.5 psig	58 ~ 72.5 psig
Pilot Port	1/8NPT	1/8NPT	1/8NPT	1/8NPT	1/8NPT
Media Temp	10 ~ 100 °C	10 ~ 100 °C	10 ~ 100 °C	10 ~ 100 °C	10 ~ 100 °C
Ambient Temp	10 ~ 60 °C	10 ~ 60 °C	10 ~ 60 °C	10 ~ 60 °C	10 ~ 60 °C



Note: Media temperature range differs depending on pressure. See graph on right.

# AV3 series (multi-turn manual valve) - Model Selection

Model	Act./Body Size	Valve Type	Body Material
AV3	3	M Manual (multi-turn)	6 PFA
	4		
	6		

Port Size		Fitting/Nut Type	
4	1/4"	CB	Pillar S-300
6	3/8"		
8	1/2"		
12	3/4"		
16	1"		

Mounting Base	
F	Flange type

**Remarks:**

- Inquire with Advance for drawings/spec sheets.

# *Technical Support / Ordering*

**Advance Electric America – for technical support (drawings/spec sheets etc.)**

3350 Scott Blvd #46-01

Santa Clara, CA 94089

Phone: 408-988-8082

FAX: 408-988-8094

Contact: Dan Boyer (email: [boyer@advance-e.co.jp](mailto:boyer@advance-e.co.jp))

**Daitron Incorporated - for orders and quotations**

27750 SW 95th Avenue, Suite 100

PO Box 3500

Wilsonville, Oregon 97070

Phone: 503-682-7560

Toll-free: 1-888-DAITRON

FAX: 503-682-2861

Contact: David Kelty (email: [dkelty@daitron.com](mailto:dkelty@daitron.com)) or Jonathan Jubb (email: [jjubb@daitron.com](mailto:jjubb@daitron.com))